

xSeries 226 Type 8648 Product Spec

IBM xSeries 226
รายละเอียดสินค้า

xSeries Lineup - Servers to Meet Your Need

Enterprise Scalable Rack Servers

2-way to 16-way SMP



eServer BladeCenter



xSeries 460



xSeries 455
IA64

High Performance Computing Solutions



eServer 326
32/64-bit



xSeries 382
IA64



1350
Linux Cluster

Rack Optimized Servers

Uni to 4-way SMP



xSeries 306



xSeries 336



xSeries 346



xSeries 343
NEBs Solution



xSeries 366

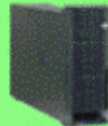


Tower Servers

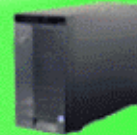
Uni to 4-way SMP



xSeries 206



xSeries 226



xSeries 236



xSeries 260



Workstations

Uni to 2-way SMP
2D - 3D Graphics



E Pro

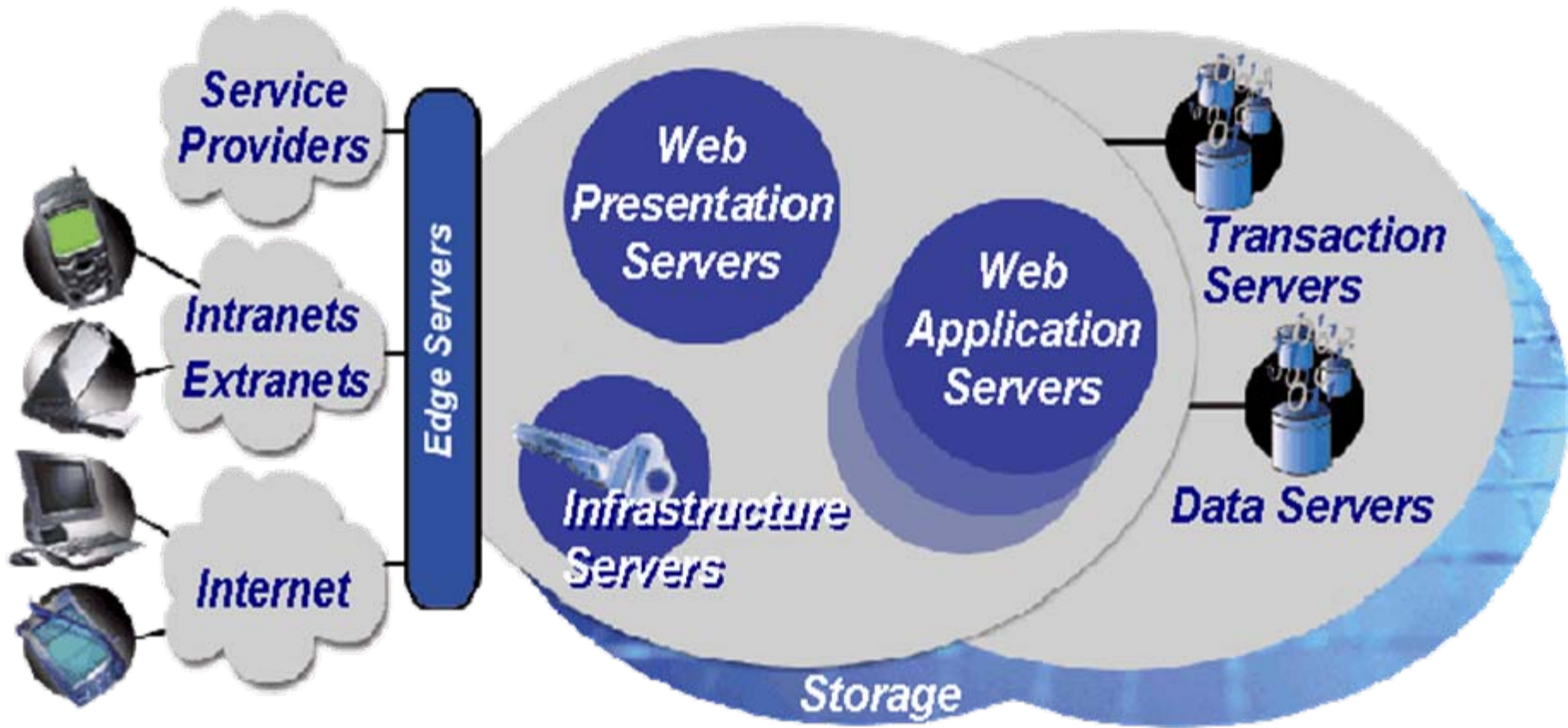


M Pro



Z Pro

IntelliStation



Highly available 4U tower server for distributed environments

IBM *e*server[®] xSeries 226



xSeries 226 at a glance

Form factor/height	Tower, rack 4U
Processor (max)	Intel Xeon Processor up to 3.4 GHz/800 MHz front-side bus supports Intel Extended Memory 64 Technology
Number of processors (std/max)	1/2
Cache (max)	Up to 2MB L2
Memory ² (max)	512MB/16GB ¹ PC2-3200 DDR2
Expansion slots	6 total/3 PCI-X, 2 PCI, 1 PCI-Express
Disk bays (total/hot-swap)	9/6 up to 6 hot-swap SCSI, up to four simple-swap Serial ATA (with adapter)
Maximum internal storage ^{2,3}	1.8TB Ultra320 hot-swap, 1TB SATA
Network interface	Integrated 10/100/1000 Ethernet
Power supply (std/max)	530W or (2) 514W hot-swap
Hot-swap components	Power supply, hard disk drives (select models)
RAID support	IBM ServeRAID-7e (integrated RAID-0 or RAID-1), optional RAID-5

Systems management

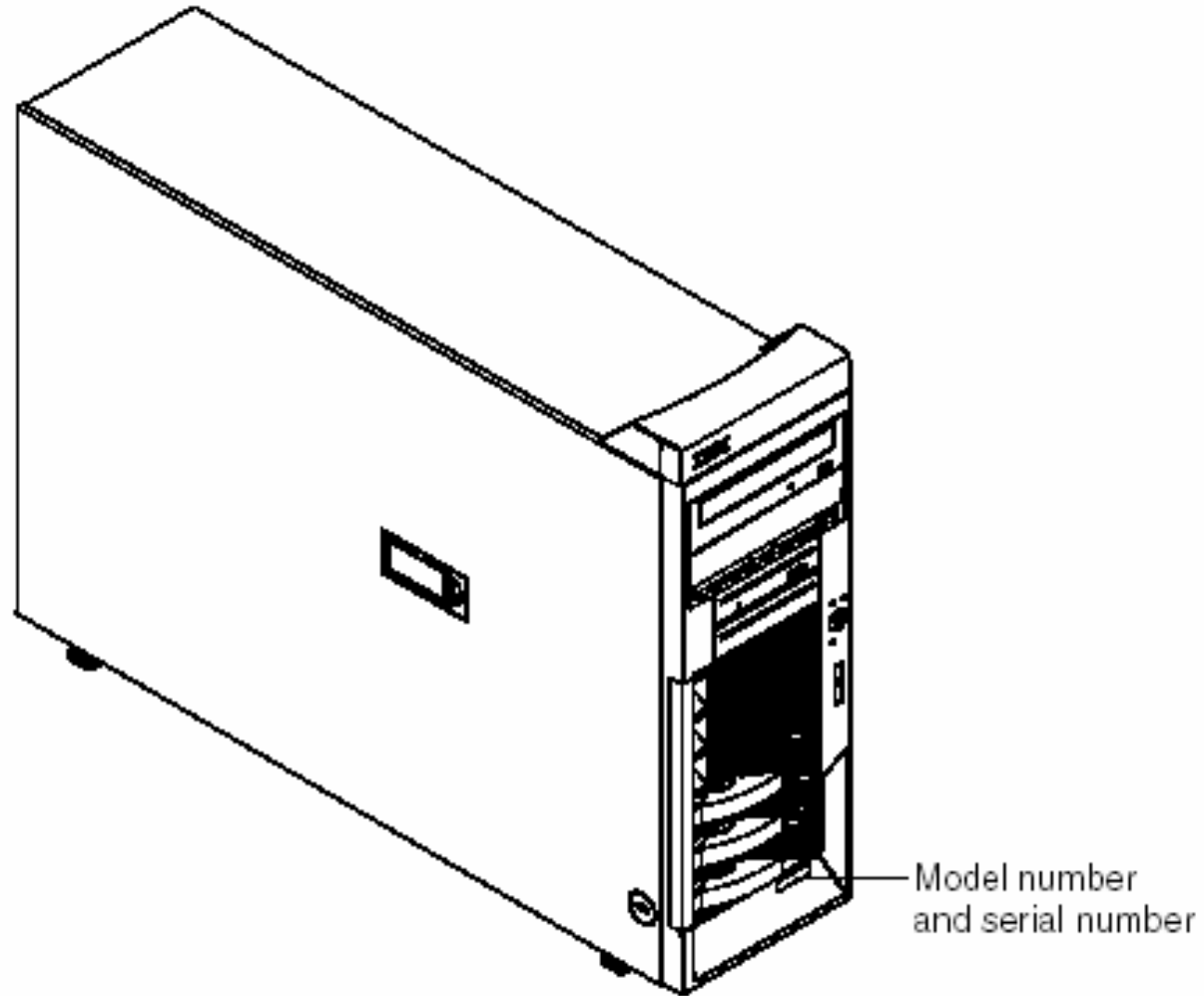
IBM Director, Diagnostic LEDs, optional Remote Supervisor Adapter II, Automatic Server Restart, Alert Standard Format 2.0, ServerGuide™ and optional Remote Deployment Manager

Operating systems supported

Microsoft® Windows® Server 2003 SE/EE, Windows 2000 Server/Advanced Server, Windows Small Business Server 2003, Red Hat® Linux® Advanced Server 2.1, Red Hat Linux Professional 7.2 and 7.3, SUSE LINUX Professional 8.0, Novell NetWare and OS/2

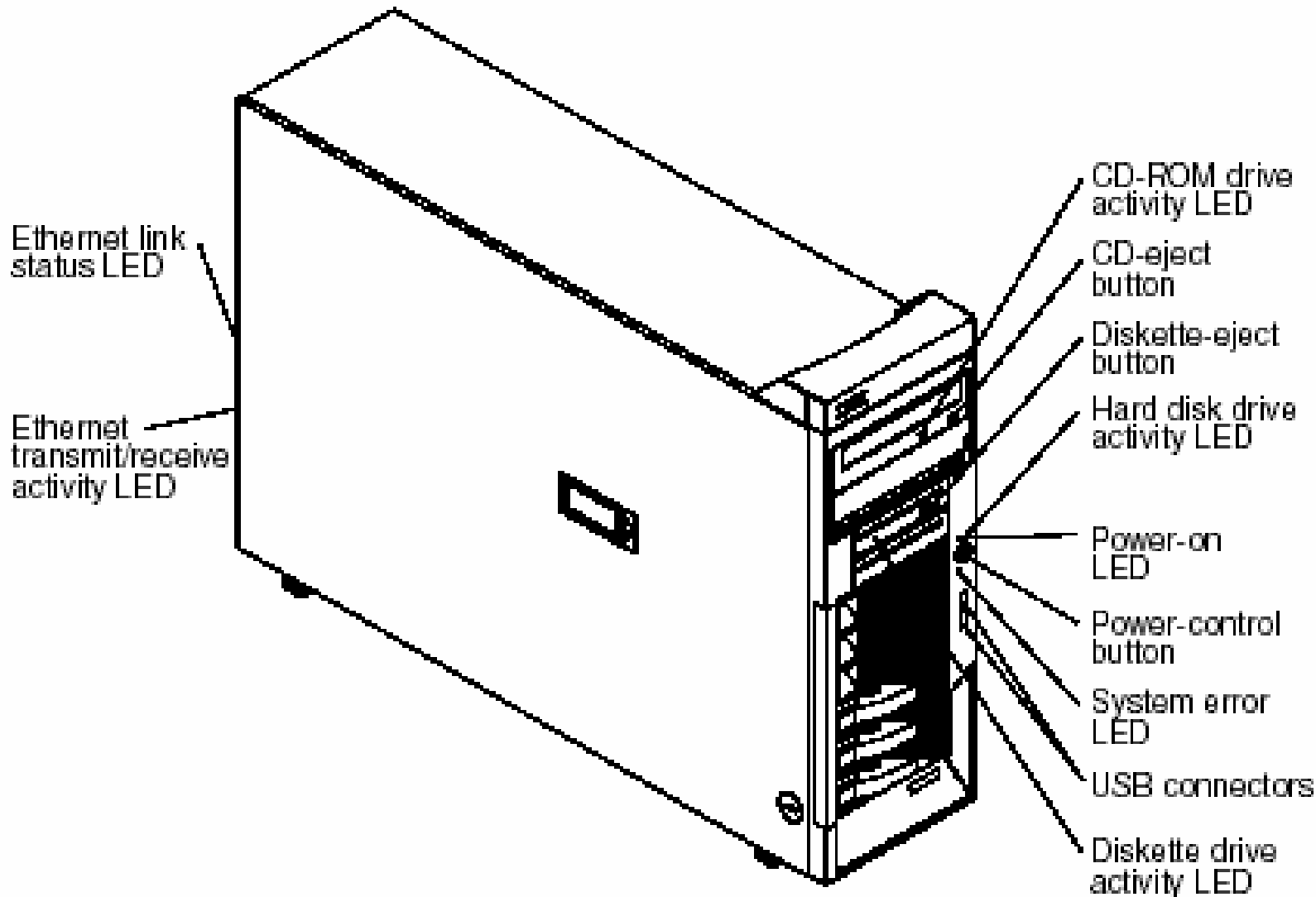
X226 รุ่น SCSI hot-swap

ดู Model Number และ Serial Number ตอนเวลาแจ้งเคลม



Server controls, connectors, LEDs, and power

รูปด้านหน้า



รูปด้านหลัง x226

Model with non-redundant power supply

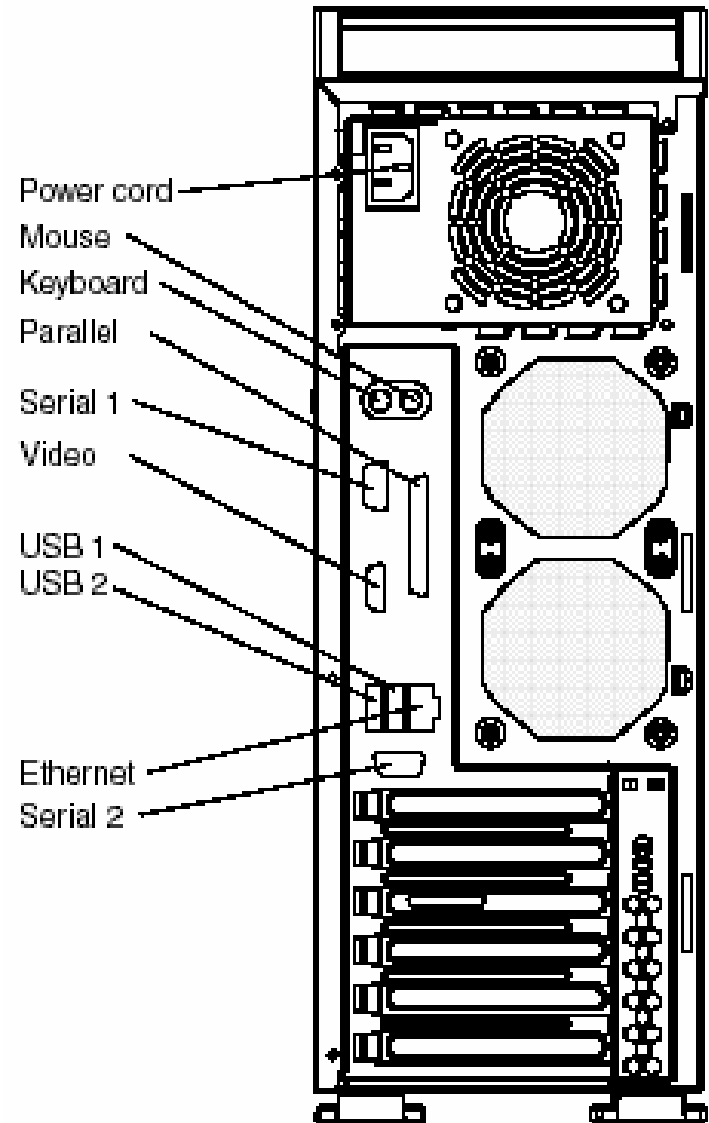


Table 1. Features and specifications

<p>Microprocessor:</p> <ul style="list-style-type: none"> • Supports up to two Intel™ Xeon microprocessors • 1 MB Level-2 cache • 800 MHz front-side bus (FSB) <p>Memory:</p> <ul style="list-style-type: none"> • Minimum: 512 MB • Maximum: 8 GB • Type: PC2-3200 double-data-rate 2 (DDR2) registered • Connectors: six dual inline memory module (DIMM) connectors <p>Drives standard:</p> <ul style="list-style-type: none"> • Diskette: 1.44 MB (two mode) • CD-ROM: IDE <p>Expansion bays:</p> <ul style="list-style-type: none"> • Four or six hard disk drive bays, depending on the model: <ul style="list-style-type: none"> – Six open hot-swap, slim-high, 3.5-inch SCSI drive bays (SCSI models) – Four slim-high, 3.5-inch Serial ATA (SATA) drive bays (SATA models) • Two half-high 5.25-inch bays (CD-ROM drive installed in one bay) • One slim-high 3.5-inch removable-media or hard disk drive bay (diskette drive installed) <p>PCI and PCI-X expansion slots:</p> <ul style="list-style-type: none"> • Two PCI 33 MHz/32-bit • Two PCI-X 100 MHz/64-bit • One PCI-X 133 MHz/64-bit • One PCI Express x16 <p>Video:</p> <p>ATI Radeon 7000-M video controller with 16 MB SDRAM video memory on the system board.</p> <p>Cooling:</p> <p>Three speed-controlled fans</p>	<p>Integrated functions:</p> <ul style="list-style-type: none"> • Support for IBM Remote Supervisor Adapter II • Broadcom 5721 10/100/1000 Ethernet controller with RJ-45 Ethernet port • Two serial ports • One parallel port • Integrated RAID capability: <ul style="list-style-type: none"> – SCSI models: SCSI controller with RAID capabilities and two Ultra320 SCSI ports (one internal, one optional external) – SATA models: Dual-port Serial ATA controller with RAID capabilities • Four Universal Serial Bus (USB) v2.0 ports (two on front and two on rear of enclosure) • Keyboard port • Mouse port • ATA-100 dual-channel IDE controller • ATI Radeon 7000-M video <ul style="list-style-type: none"> – Compatible with SVGA and VGA – 16 MB video memory <p>Diagnostic LEDs:</p> <ul style="list-style-type: none"> • Fans • Memory • Microprocessors • Hot-swap power supplies (some models) <p>Power supplies:</p> <ul style="list-style-type: none"> • Two (some models) 514-watt output (115-230 V ac) hot-swap power supplies. Two power supplies provide redundant power. • One (some models) 530-watt output (115-230 V ac) non-hot-swap power supply. <p>Size:</p> <ul style="list-style-type: none"> • Height: 440 mm (18.4 in.) • Depth: 643 mm (25.3 in.) • Width: 217 mm (8.5 in.) • Weight: 20 kg (44 lb) to 25.8 kg (57 lb) depending upon configuration 	<p>Electrical input:</p> <ul style="list-style-type: none"> • Sine-wave input (50 or 60 Hz) required • Input voltage and frequency ranges automatically selected • Input voltage low range: <ul style="list-style-type: none"> – Minimum: 100 V ac – Maximum: 127 V ac • Input voltage high range: <ul style="list-style-type: none"> – Minimum: 200 V ac – Maximum: 240 V ac • Input kilovolt-amperes (kVA) approximately: <ul style="list-style-type: none"> – Minimum: 0.18 kVA (all models) – Maximum: <ul style="list-style-type: none"> - 0.86 kVA (non-redundant power supply models) - 0.72 kVA (redundant power supply models) <p>Heat output:</p> <p>Approximate heat output in British thermal units (Btu) per hour:</p> <ul style="list-style-type: none"> • Minimum configuration: 597 Btu/hour (175 watts) • Maximum configuration: <ul style="list-style-type: none"> – 2780 Btu/hour (815 watts) (non-redundant power supply models) – 2337 Btu/hour (685 watts) (redundant power supply models) <p>Environment:</p> <ul style="list-style-type: none"> • Air temperature: <ul style="list-style-type: none"> – Server on: 10° to 35°C (50° to 95°F) Altitude: 0 to 2134 m (7000 ft) – Server off: -40° to +60°C (-40° to 140°F) Maximum altitude: 2133 m (7000 ft) • Humidity (operating and storage): 8% to 80% <p>Acoustical noise emissions:</p> <ul style="list-style-type: none"> • Non-redundant: Sound power, idle: 5.2 bel maximum Sound power, operating: 5.3 bel maximum • Redundant: Sound power, idle: 5.9 bel maximum Sound power, operating: 6.0 bel maximum
---	--	--